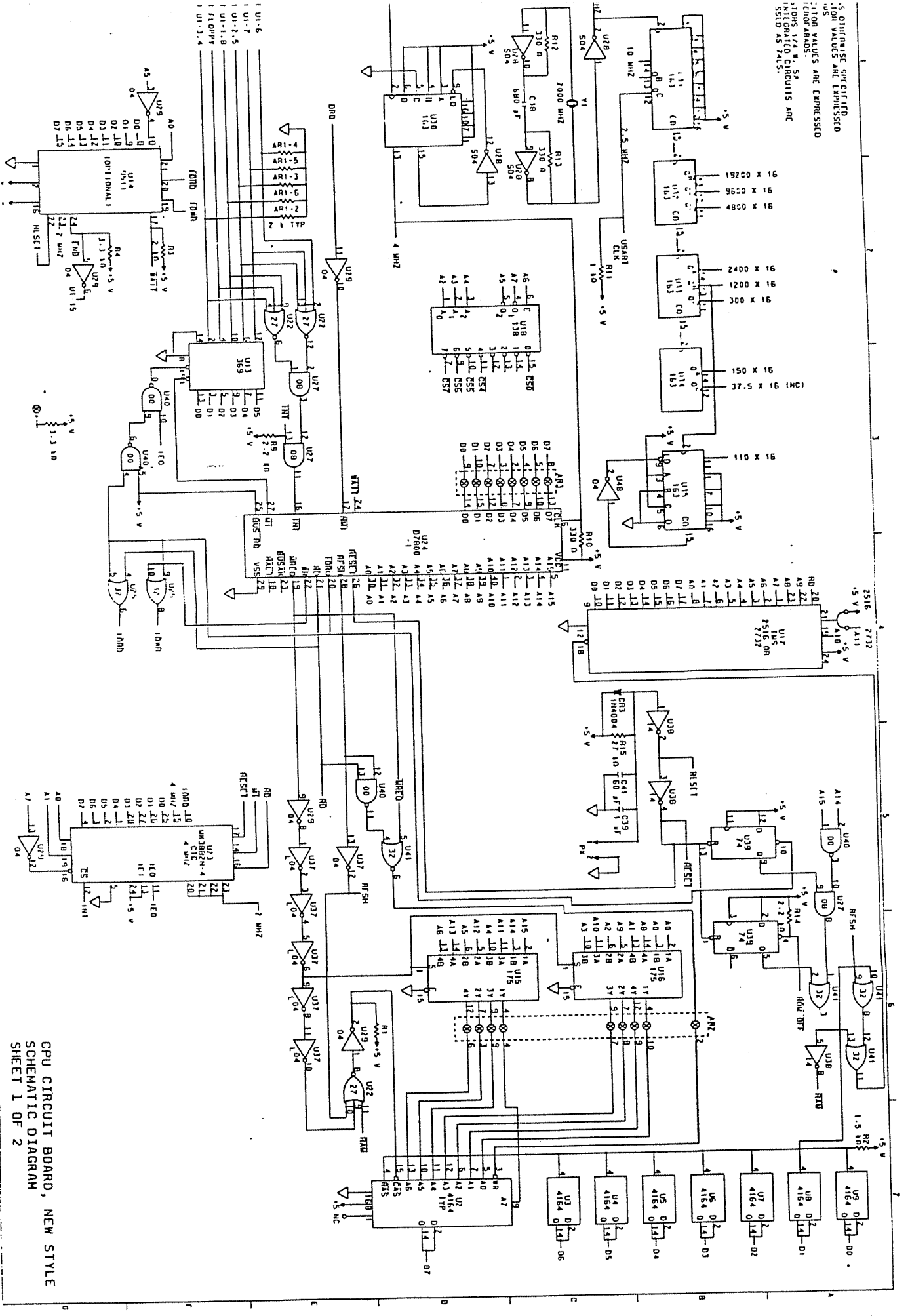
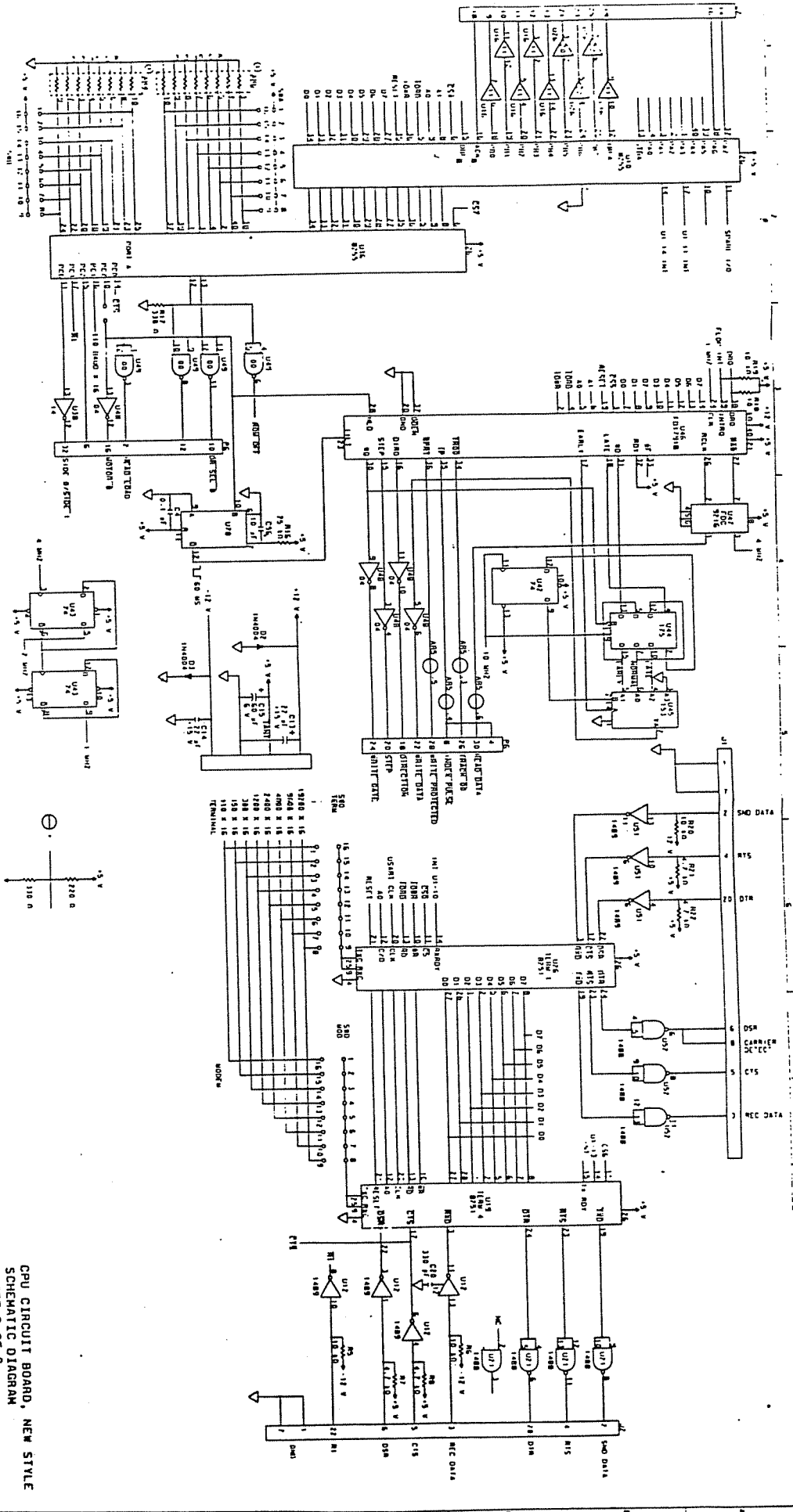


5. DIFFERENT CIRCUIT BOARD
 1.0M VALUES ARE EXPRESSED
 10M VALUES ARE EXPRESSED
 UNLESS SHOWN OTHERWISE
 UNLESS SHOWN OTHERWISE
 UNLESS SHOWN OTHERWISE



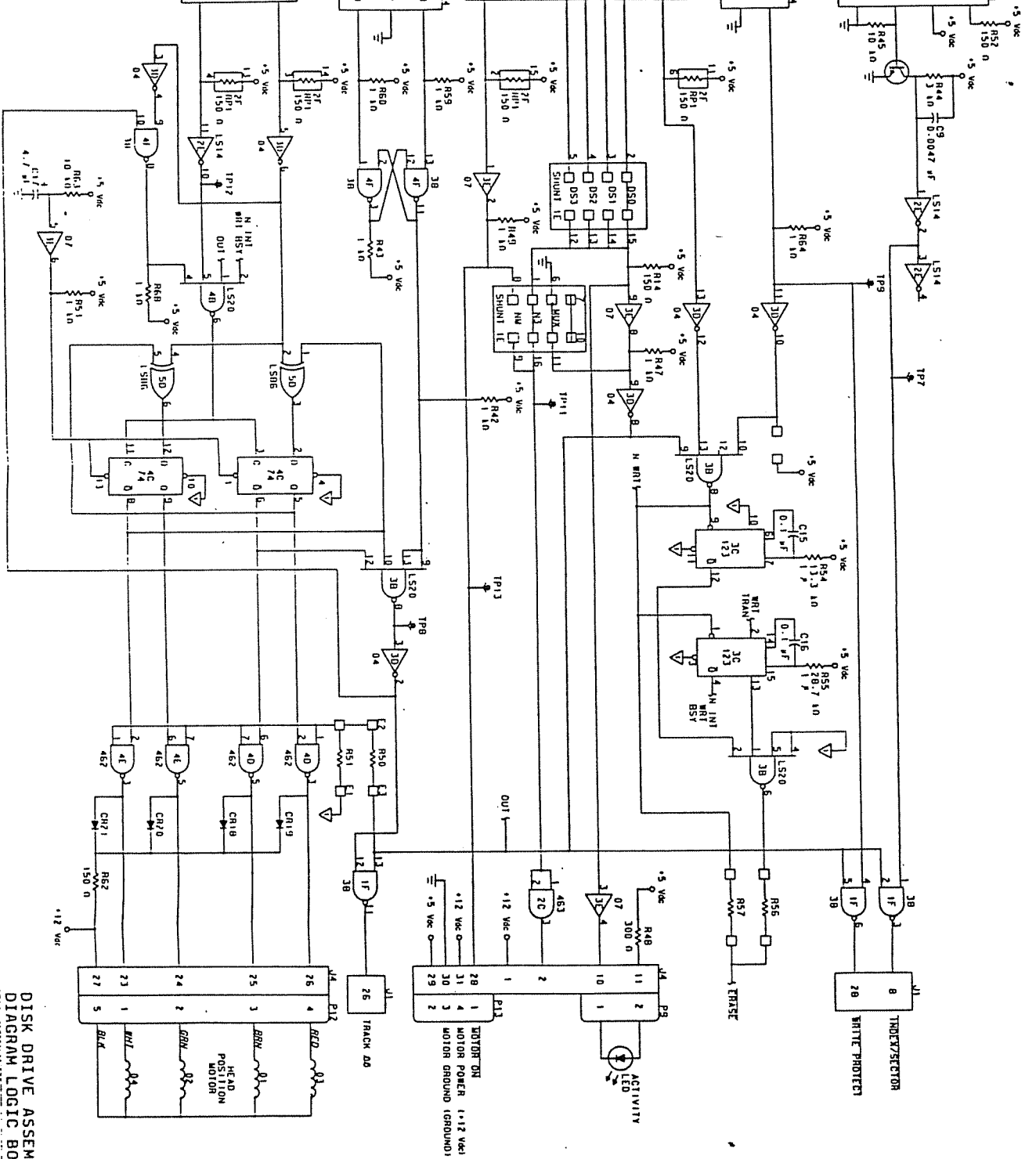
CPU CIRCUIT BOARD, NEW STYLE
 SCHEMATIC DIAGRAM
 SHEET 1 OF 2



CPU CIRCUIT BOARD, NEW STYLE
SCHEMATIC DIAGRAM
SHEET 2 OF 2

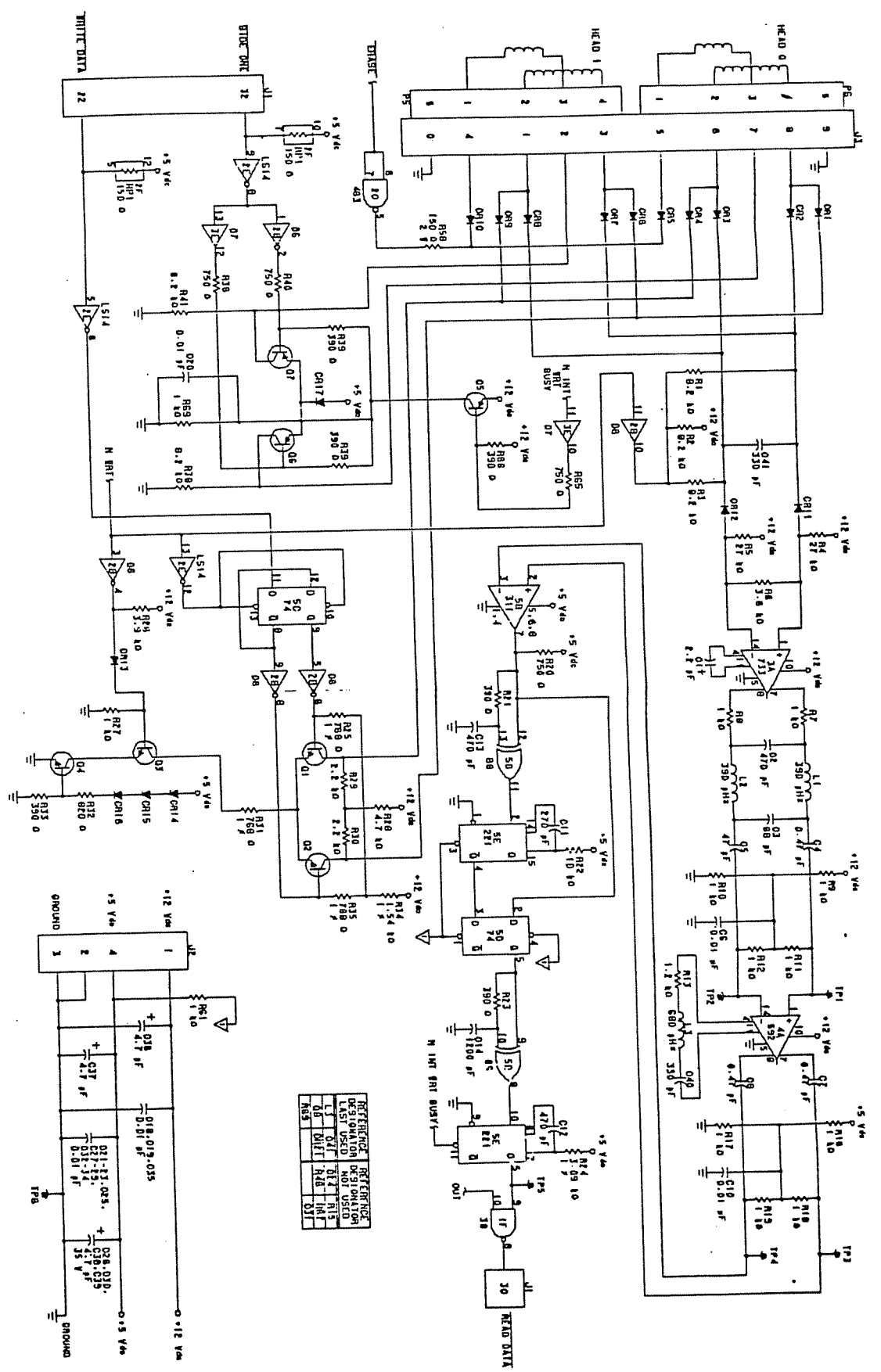
WD256-4

- NOTES:
 UNLESS OTHERWISE SPECIFIED
 1. ALL RESISTORS ARE IN OHMS UNLESS OTHERWISE SPECIFIED
 2. ALL CAPACITORS ARE IN P.F. UNLESS OTHERWISE SPECIFIED
 3. ALL DIODES ARE IN THE DIRECTION INDICATED
 4. ALL TRANSISTORS ARE IN THE DIRECTION INDICATED
 5. ALL DIMENSIONS ARE IN INCHES UNLESS OTHERWISE SPECIFIED



DISK DRIVE ASSEMBLY SCHEMATIC
 DIAGRAM LOGIC BOARD, SHEET 1

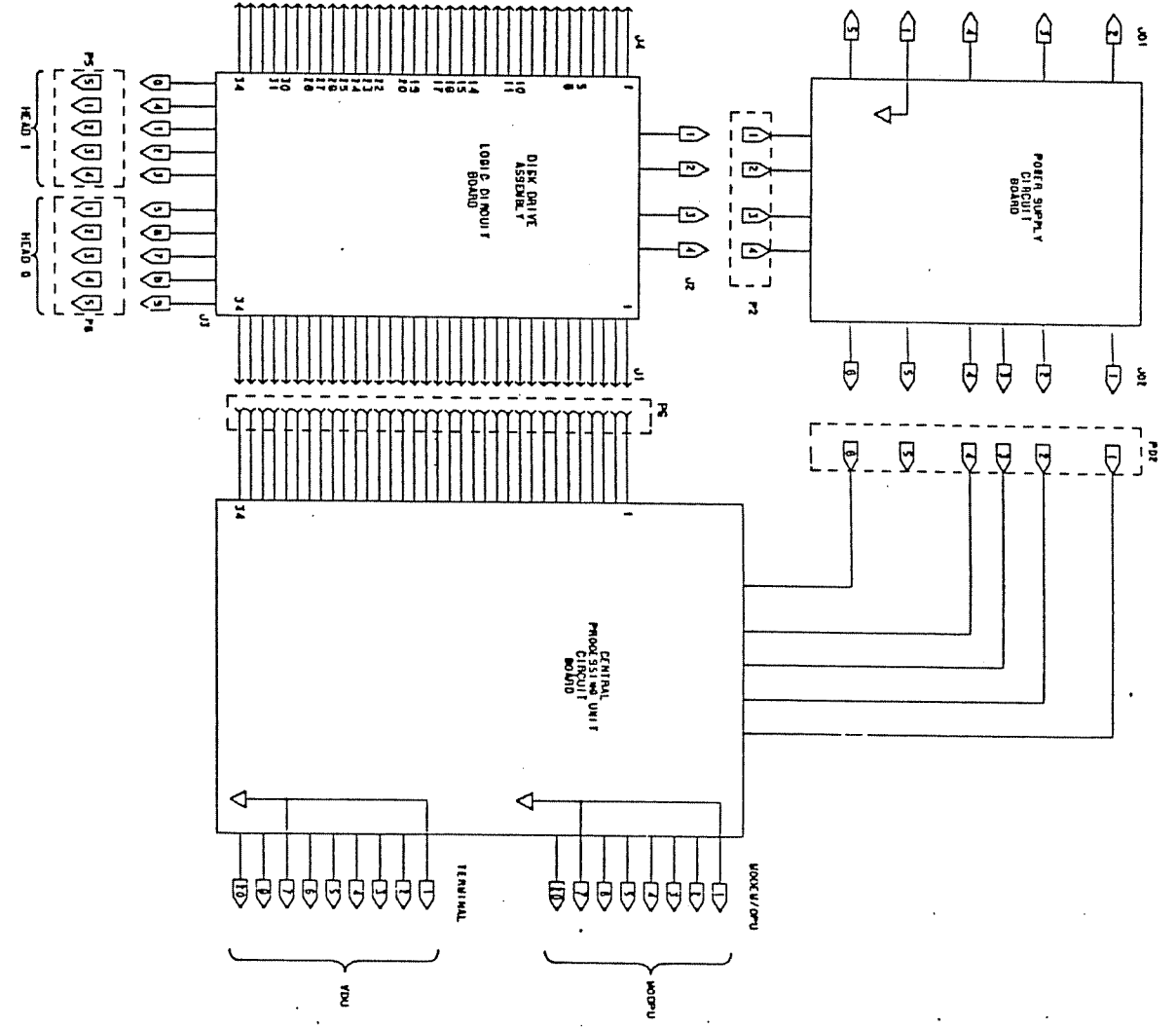
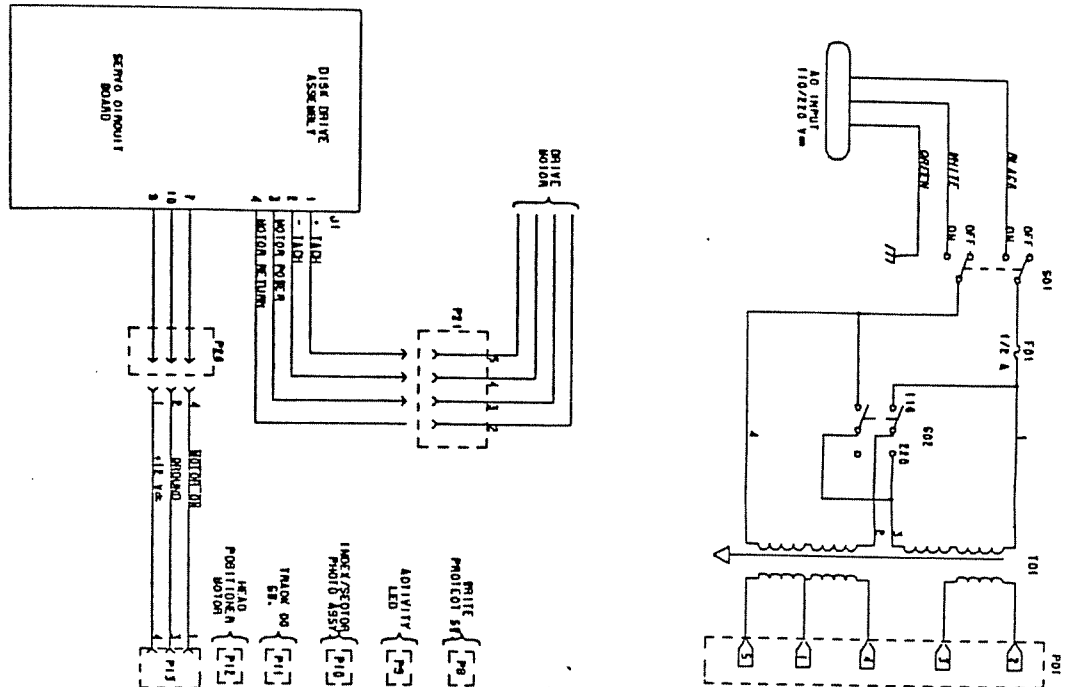
NOTES: UNLESS OTHERWISE SPECIFIED



REFERENCE DESIGNATION	REFERENCE DESIGNATION
1	NOT USED
2	NOT USED
3	NOT USED
4	NOT USED
5	NOT USED
6	NOT USED
7	NOT USED
8	NOT USED
9	NOT USED
10	NOT USED
11	NOT USED
12	NOT USED
13	NOT USED
14	NOT USED
15	NOT USED
16	NOT USED
17	NOT USED
18	NOT USED
19	NOT USED
20	NOT USED
21	NOT USED
22	NOT USED
23	NOT USED
24	NOT USED
25	NOT USED
26	NOT USED
27	NOT USED
28	NOT USED
29	NOT USED
30	NOT USED
31	NOT USED
32	NOT USED
33	NOT USED
34	NOT USED
35	NOT USED
36	NOT USED
37	NOT USED
38	NOT USED
39	NOT USED
40	NOT USED
41	NOT USED
42	NOT USED
43	NOT USED
44	NOT USED
45	NOT USED
46	NOT USED
47	NOT USED
48	NOT USED
49	NOT USED
50	NOT USED
51	NOT USED
52	NOT USED
53	NOT USED
54	NOT USED
55	NOT USED
56	NOT USED
57	NOT USED
58	NOT USED
59	NOT USED
60	NOT USED
61	NOT USED
62	NOT USED
63	NOT USED
64	NOT USED
65	NOT USED
66	NOT USED
67	NOT USED
68	NOT USED
69	NOT USED
70	NOT USED
71	NOT USED
72	NOT USED
73	NOT USED
74	NOT USED
75	NOT USED
76	NOT USED
77	NOT USED
78	NOT USED
79	NOT USED
80	NOT USED
81	NOT USED
82	NOT USED
83	NOT USED
84	NOT USED
85	NOT USED
86	NOT USED
87	NOT USED
88	NOT USED
89	NOT USED
90	NOT USED
91	NOT USED
92	NOT USED
93	NOT USED
94	NOT USED
95	NOT USED
96	NOT USED
97	NOT USED
98	NOT USED
99	NOT USED
100	NOT USED

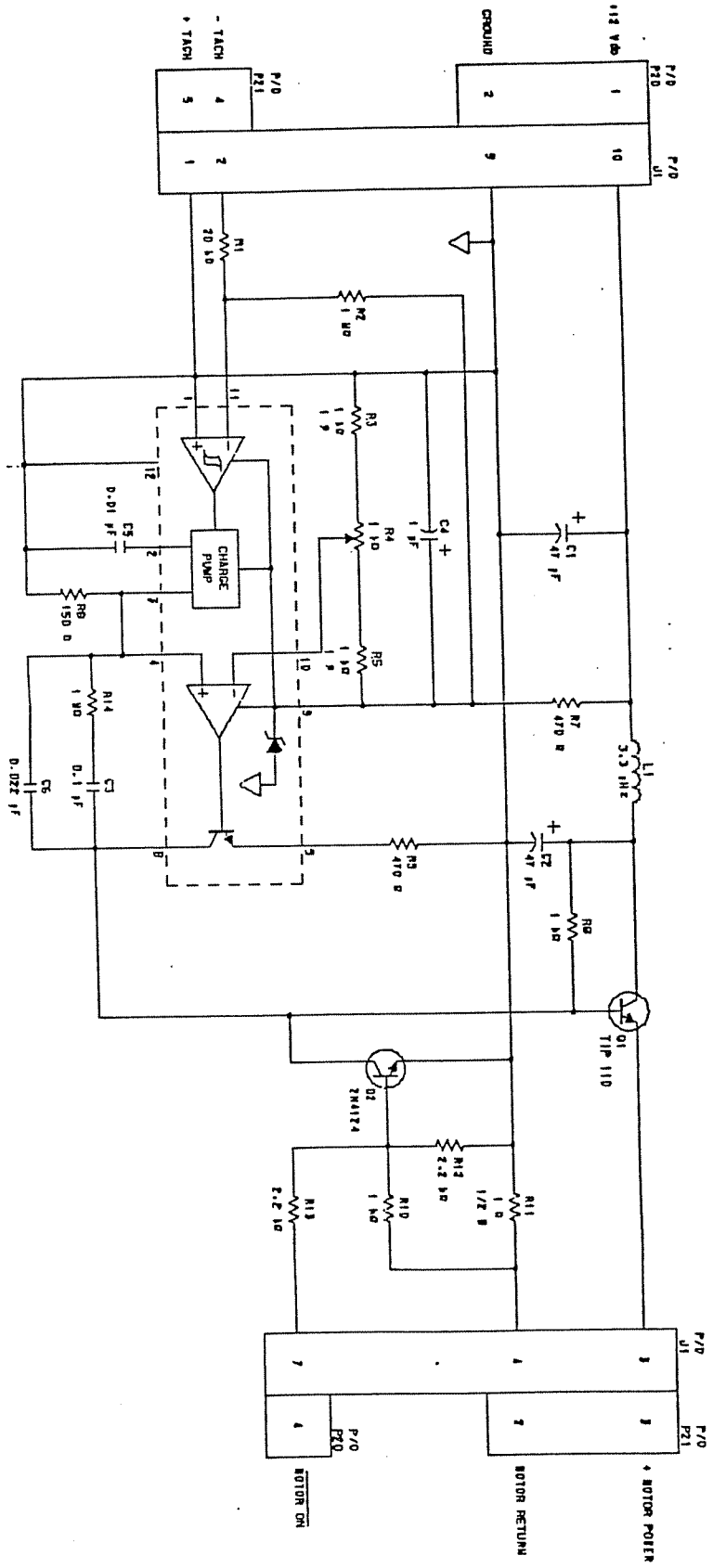
DISK DRIVE ASSEMBLY LOGIC CIRCUIT BOARD, SHEET 2

WD2256-4



INTERCONNECTION
 FOR THE DISKETTE
 CONTROLLER

WD2256-A



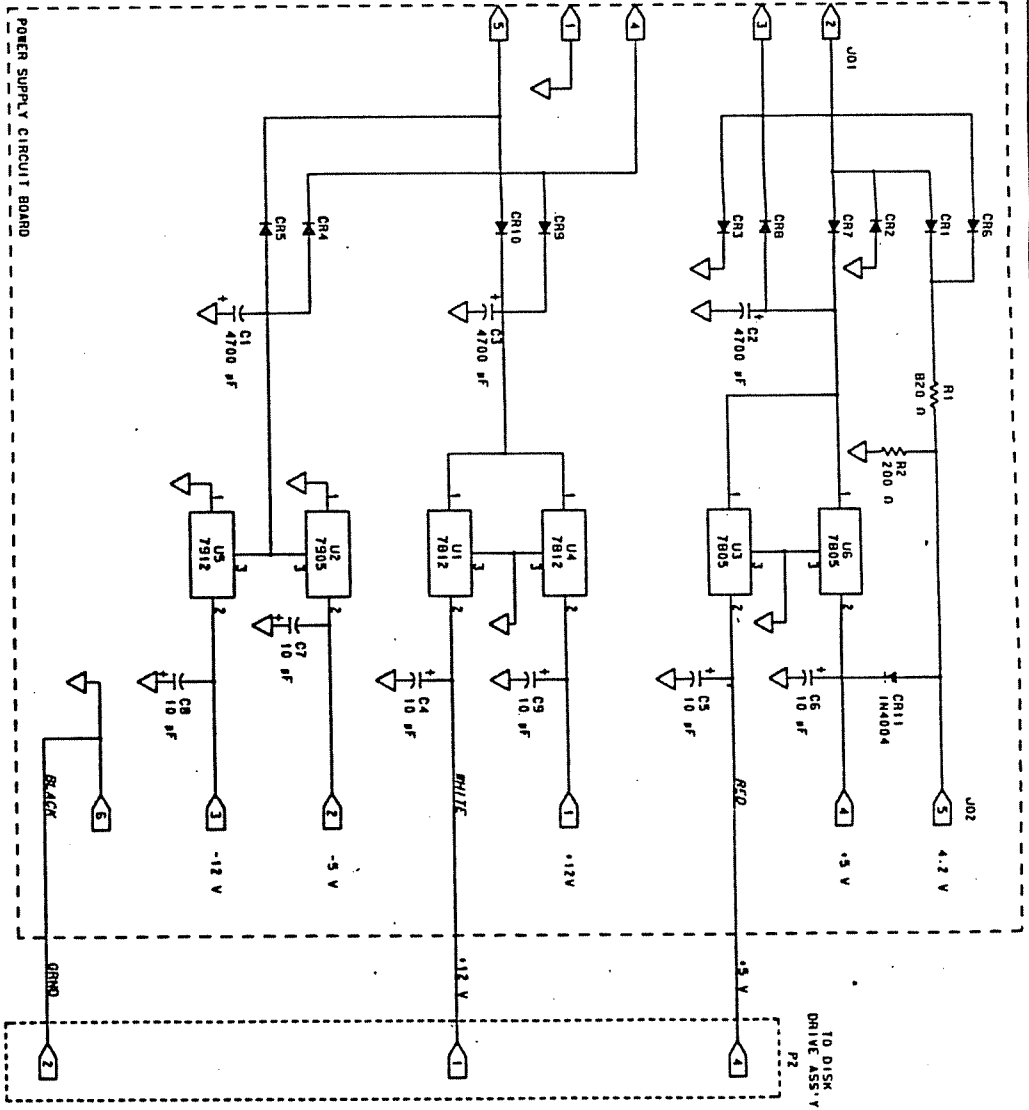
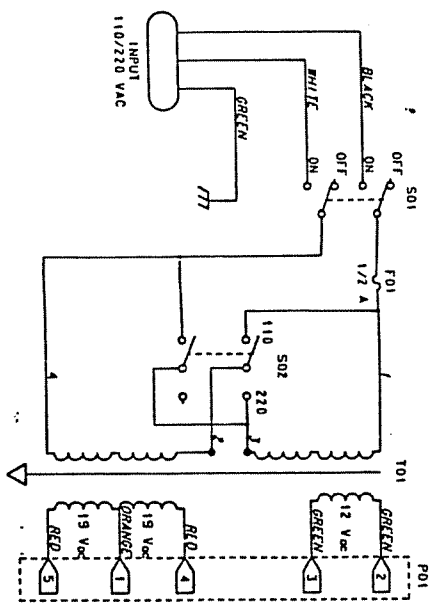
NOTES:
 UNLESS DIMENSIONS SPECIFIED
 1. DIMENSIONS ARE IN DIMS. 45 1.1/4 8
 2. 1 P REVISIONS ARE IN V/O 8
 3. CAPACITORS ARE IN P.F. 450 P.33 V

DISK DRIVE ASSEMBLY
 SERVO CIRCUIT BOARD

WD2256-A

28 6/11 64

EE50-2256-00078



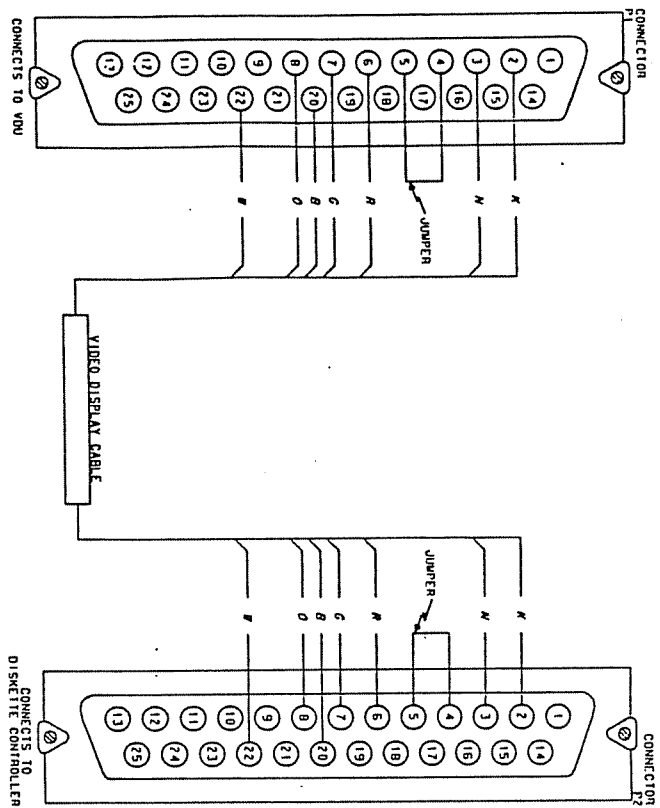
- NOTES
1. CR1 THRU CR10 DIODES ARE GE-531
 2. F1 FUSE 1/4 A IPO ONL.Y
 3. FAN CONNECTED TO TRANSFORMER T01-1 AND T01-3

POWER SUPPLY CIRCUIT BOARD
SCHEMATIC DIAGRAM

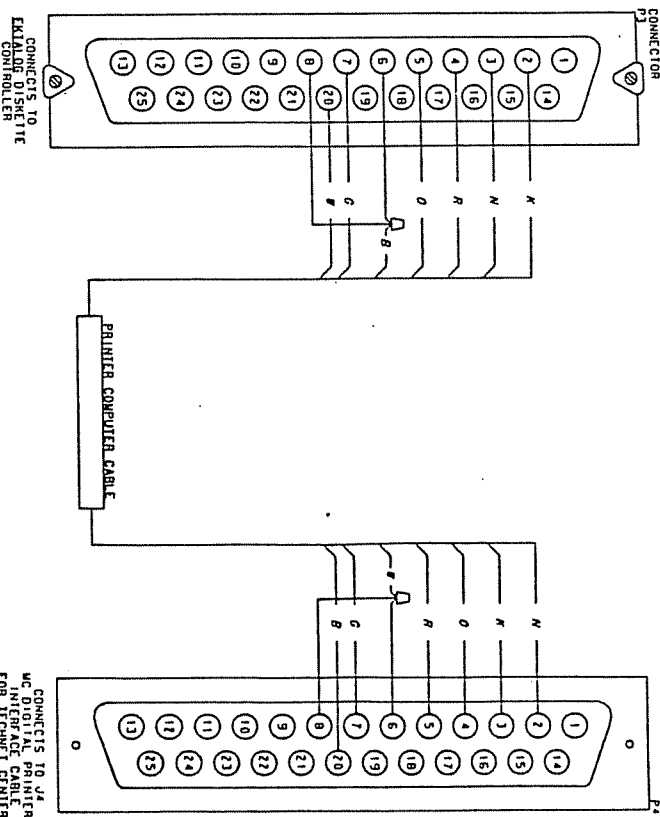
12 DEC 83

CE50-215K-0004A

WD2256-4

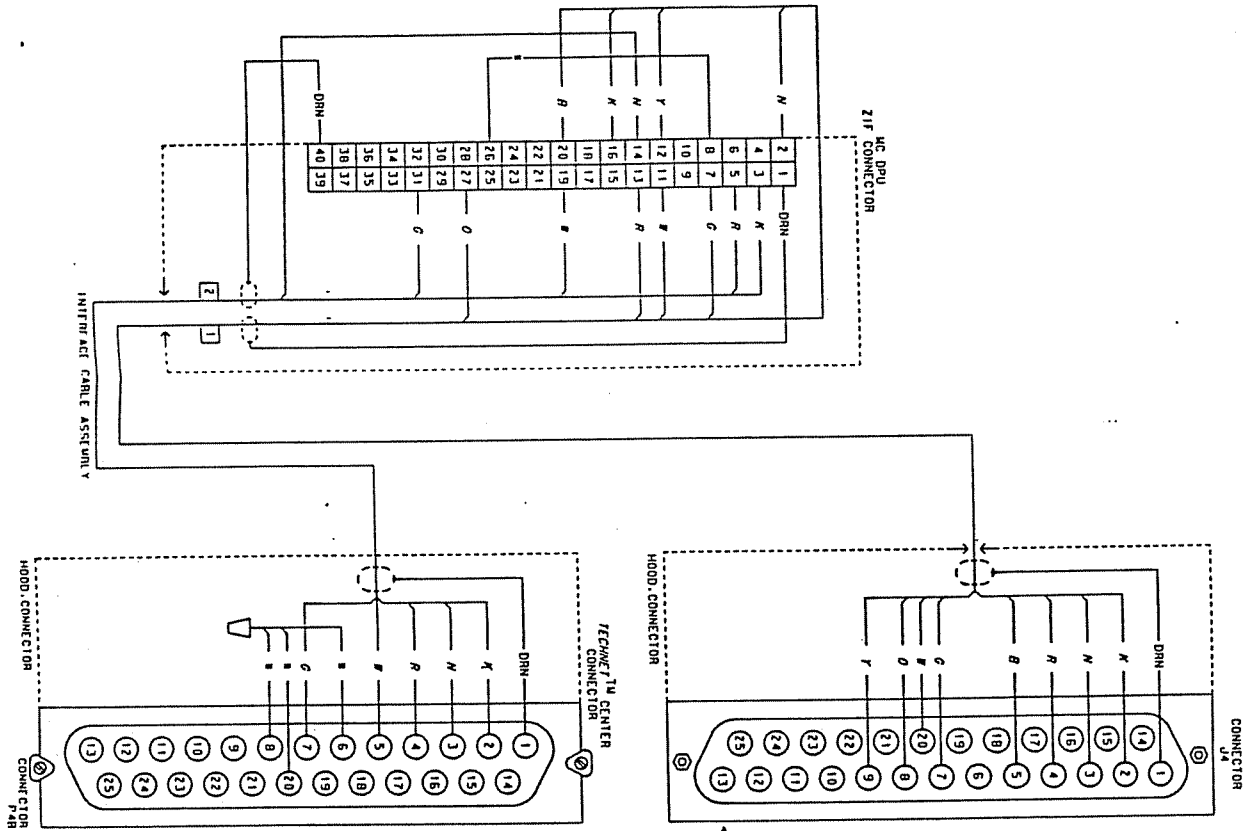


TO-FROM WIRING DIAGRAMS



DISKETTE CONTROLLER

WD2256-



CONNECTS TO
PRINTER COMPUTER
CABLE

NOTE:
■ QUINCE WIRE

MC DIGITAL INTERFACE
CABLE/TECHNET™ CENTER
WIRING DIAGRAM